



# wd-series dual element heaters

Dual element fixtures produce more concentrated heat and can be mounted up to 14 feet high. These fixtures are ideal for use in settings that require higher mounting height requirements, or when more intense directional heat is desired. Dual element heaters are available in 4,000, 5,000 and 6,000 watt models.



MODEL	LENGTH	WATTS	CONTROL OPTIONS VALUE or SOLID STATE	
WD-40	39"	4,000	or	+
WD-50	39"	5,000	or	+
WD-60	61 1/4"	6,000	or	+

On/Off Switch     
 Duplex On/Off Switch (Half Power, Full Power)     
 Analog Control     
 Main Relay Control Panel

Specifications Sheet

### COLOR OPTIONS

WD-Series heaters are available in a range of colors, to coordinate with your interior or exterior environment.

beige     
 black     
 white     
 bronze

*Custom color options are available*

### INSTALLATION OPTIONS

different spaces have different needs.

NOTE: SINGLE ELEMENT HEATERS

WD-40	10" x 8"
WD-50	10" x 9"
WD-60	15 1/2" x 11 1/2"

You may require multiple heaters for coverage in areas larger than those noted above. Contact us to learn more about which models may be best for you.

To find out more about which heating solution is right for your needs, click here to get started.

### Navigate Products

- >
- \ W-Series Heaters
- \ [WD-Series Heaters](#)
- \ Controls
- \ Custom

*\*Note: Indoor or well-protected environments will generally exceed average coverage*

Our low profile heaters are suitable for indoor and outdoor installations, and offer a pleasing, streamlined look due to lower clearance requirements. Infratech heaters may be flush mounted into a ceiling using our flush mount frame, may be mounted to a wall or ceiling, or may be pole mounted.

*areas. Heaters can provide less than average coverage in extremely cold/windy conditions.*



Flush Mount



Wall Mount



Ceiling Mount



Pole Mount

[> learn more](#)



# w-series single element heaters

With a variety of sizes to choose from, it is important to select the proper W-Series single element heater in order to provide the coverage and intensity necessary for optimum comfort. Some home or business owners may need to use multiple heaters, in order to completely cover larger areas. W-Series heaters range from 1,500 to 4,000 watts.



MODEL	LENGTH	WATTS	CONTROL OPTIONS VALUE or SOLID STATE	
W-15	33"	1,500	or	+
W-20	39"	2,000	or	+
W-25	39"	2,500	or	+
W-30	61 1/4"	3,000	or	+
W-40	61 1/4"	4,000		+

On/Off Switch    
 Input Regulators    
 Analog Control    
 Main Relay Control Panel

Specifications Sheet

### COLOR OPTIONS

W-Series heaters are also available in a range of colors, to coordinate with your interior or exterior environment.

*Custom color options are*

different spaces have different needs.

WATTAGE	COVERED AREA	HEIGHT
W-15	5' x 5'	6'-8" mounting ht.
W-20	6' x 6'	7'-0" mounting ht.
W-25	7' x 7'	7'-2" mounting ht.
W-30	8' x 8'	
W-40	10' x 10'	

You may require multiple heaters for coverage in areas larger than those noted above. Contact us to learn more about which models may be best for you.

To find out more about which heating solution is right for your needs, click here to get started.

### Navigate Products >

- [\ W-Series Heaters](#)
- [\ WD-Series Heaters](#)
- [\ Controls](#)
- [\ Custom](#)

*\*Note: Indoor or well-protected environments will generally exceed average coverage*



beige



black



white



bronze

available

### INSTALLATION OPTIONS

Our low profile heaters are suitable for indoor and outdoor installations, and offer a pleasing, streamlined look due to low clearance requirements. Infratech heaters may be flush mounted into a ceiling using our optional flush mount frame, or may be mounted to a wall, ceiling, or pole mounted.

*areas. Heaters can provide less than average coverage in extremely cold/windy conditions.*



Flush Mount



Wall Mount



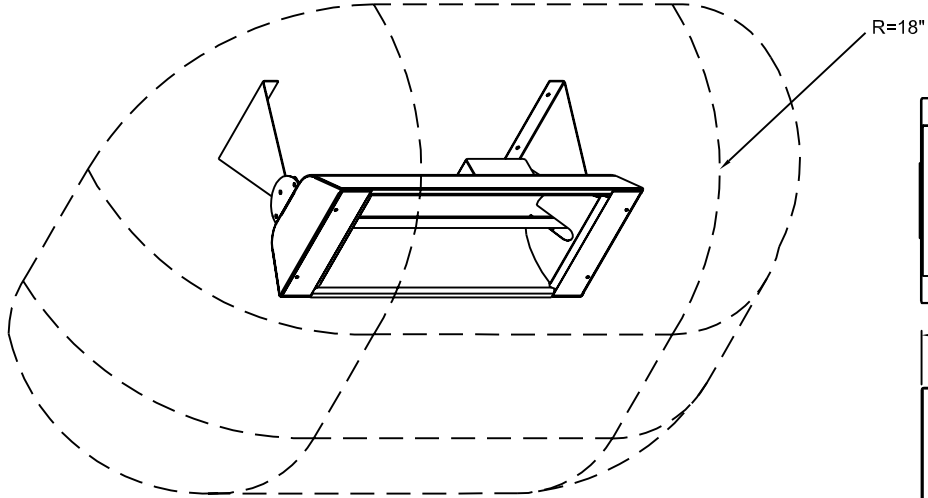
Ceiling Mount



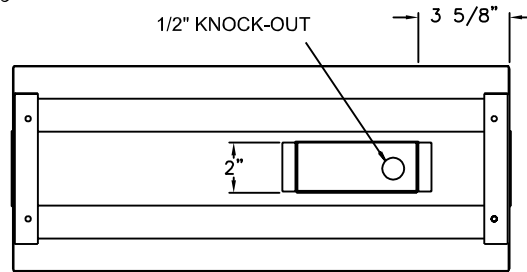
Pole Mount

[> learn more](#)

CLEARANCE FROM COMBUSTIBLES



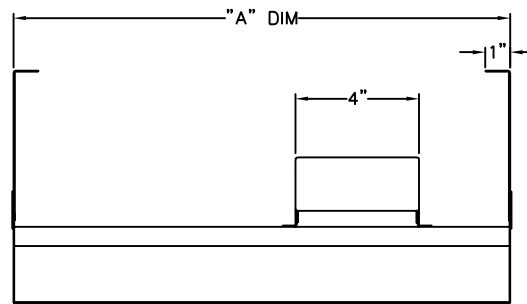
R=18"



1/2" KNOCK-OUT

3 5/8"

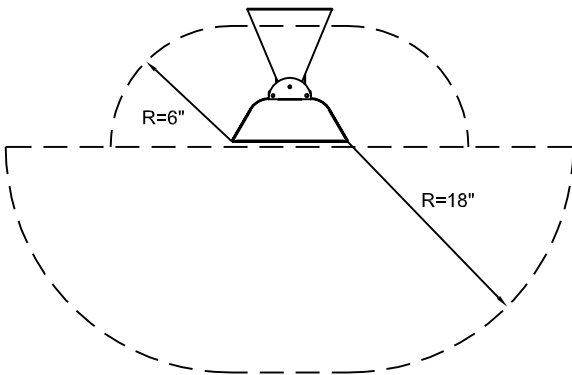
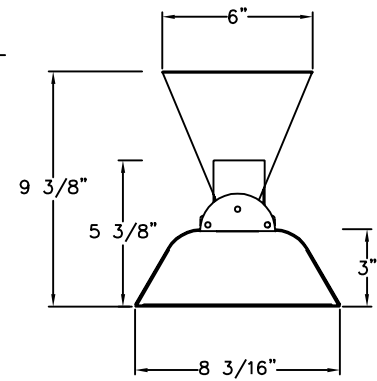
2"



"A" DIM

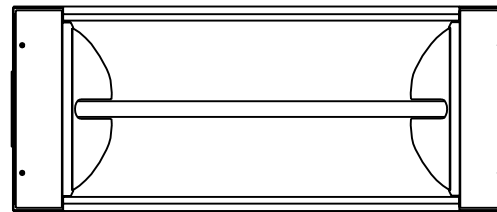
4"

1"

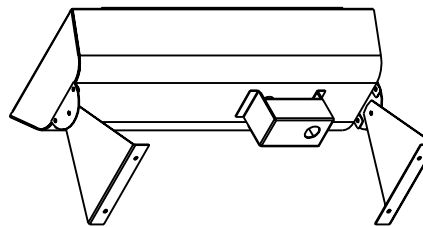


R=6"

R=18"



MODEL	"A" DIM.	WATTS	VOLTS	AMPS	BTU's
W512	19"	500	120	4.2	1706
W7512	19"	750	120	6.3	2559
W1012	33"	1000	120	8.3	3412
W1512	33"	1500	120	12.5	5118
W2024	39"	2000	240	8.3	6824
W2524	39"	2500	240	10.4	8530
W3024	61 1/4"	3000	240	12.5	10236
W4024	61 1/4"	4000	240	16.7	13648
WD4024	39"	4000	240	16.7	13648
WD5024	39"	5000	240	20.8	17060
WD6024	61 1/4"	6000	240	25	20472
WD8024	61 1/4"	8000	240	33.4	27296



OTHER VOLTAGES ALSO AVAILABLE: 208, 277, 480

<b>INFRA TECH</b> www.INFRATECH-USA.COM		344 W. 157th Street Gardena, California 90248 Phone: (310) 354-1250 Fax: (310) 523-3674
DESCRIPTION		
<b>W-SERIES HEATER CAD DRAWING</b>		
DATE	DRAWN BY:	SCALE
Aug. 5, 2008	MD	NONE

## W-Series (Uses Single Lamp)

Infratech Quartz Infrared Comfort Heaters - Products - Microsoft Internet Explorer provided by The Irvine Company

http://www.infratech-usa.com/comfort/products/wseries.php

SEARCH

Infrared Basics \ **Products** \ Getting Started \ Photo Gallery \ Faqs \ Contact Us

**INFRATECH**  
COMFORT

**w-series single element heaters**

With a variety of sizes to choose from, it is important to select the proper W-Series single element heater in order to provide the coverage and intensity necessary for optimum comfort. Some home or business owners may need to use multiple heaters, in order to completely cover larger areas. W-Series heaters range from 1,500 to 4,000 watts.



**different spaces have different needs.**

AVERAGE COVERAGE AREA\*

W-15	5' x 5'	6-8" mounting ht.
W-20	6' x 6'	7-9" mounting ht.
W-25	7' x 7'	7-9" mounting ht.
W-30	8' x 8'	8-11" mounting ht.
W-40	10' x 10'	8-11" mounting ht.

You may require multiple heaters for coverage in areas larger than those noted above. [Contact us](#) to learn more about which models may be best for you.

To find out more about which heating solution is right for your needs, [click here](#) to get started.

MODEL	LENGTH	WATTS	CONTROL OPTIONS	
			VALUE	SOLID STATE
W-15	33"	1,500	<input type="checkbox"/> or <input type="checkbox"/>	<input type="checkbox"/> + <input type="checkbox"/>
W-20	39"	2,000	<input type="checkbox"/> or <input type="checkbox"/>	<input type="checkbox"/> + <input type="checkbox"/>
W-25	39"	2,500	<input type="checkbox"/> or <input type="checkbox"/>	<input type="checkbox"/> + <input type="checkbox"/>
W-30	61 1/4"	3,000	<input type="checkbox"/> or <input type="checkbox"/>	<input type="checkbox"/> + <input type="checkbox"/>
W-40	61 1/4"	4,000	<input type="checkbox"/>	<input type="checkbox"/> + <input type="checkbox"/>

**Navigate Products >**

\ W-Series Heaters  
\ WD-Series Heaters

start Microsoft Office Infratech Quartz I... http://www.infrat... Creating Adobe PDF 100% 12:49 PM

## WD-Series (Uses Dual Lamp)

Infratech Quartz Infrared Comfort Heaters - Products - Microsoft Internet Explorer provided by The Irvine Company

http://www.infratech-usa.com/comfort/products/wdseries.php

SEARCH

Infrared Basics \ **Products** \ Getting Started \ Photo Gallery \ Faqs \ Contact Us

**INFRATECH**  
COMFORT

**wd-series dual element heaters**

Dual element fixtures produce more concentrated heat and can be mounted up to 14 feet high. These fixtures are ideal for use in settings that require higher mounting height requirements, or when more intense directional heat is desired. Dual element heaters are available in 4,000, 5,000 and 6,000 watt models.



**different spaces have different needs.**

AVERAGE COVERAGE AREA\*

WD-40	10' x 8'	8-12" mounting ht.
WD-50	10' x 9'	10-14" mounting ht.
WD-60	11' x 11'	10-14" mounting ht.

You may require multiple heaters for coverage in areas larger than those noted above. [Contact us](#) to learn more about which models may be best for you.

To find out more about which heating solution is right for your needs, [click here](#) to get started.

MODEL	LENGTH	WATTS	CONTROL OPTIONS	
			VALUE	SOLID STATE
WD-40	39"	4,000	<input type="checkbox"/> or <input type="checkbox"/>	<input type="checkbox"/> + <input type="checkbox"/>
WD-50	39"	5,000	<input type="checkbox"/> or <input type="checkbox"/>	<input type="checkbox"/> + <input type="checkbox"/>
WD-60	61 1/4"	6,000	<input type="checkbox"/> or <input type="checkbox"/>	<input type="checkbox"/> + <input type="checkbox"/>

On/Off Switch  Duplex On/Off Switch (Half Power, Full Power)  Analog Control  Main Relay Control Panel

[Specifications Sheet](#)

**Navigate Products >**

\ W-Series Heaters  
\ WD-Series Heaters

Done start Microsoft Office Infratech Quartz I... Creating Adobe PDF Document1 - Micr... 100% 12:51 PM

