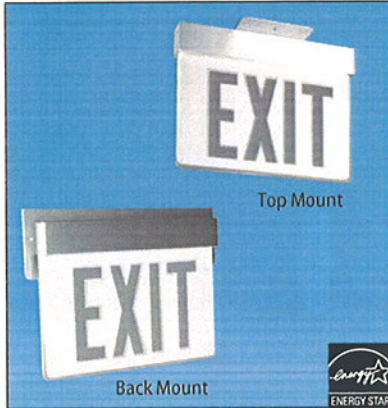


Edge-lit Exits

# Precise®

LED



Chevron Direction

Specification (add to catalog number)	Graphics	
	Back	Front
LA		<EXIT
RA		EXIT>
LRA (single face)		<EXIT>
DA	<EXIT	EXIT>
LRA (double face)	<EXIT>	<EXIT>

Dimensions are shown in inches (millimeters) unless otherwise noted.

Panel/Trim Assembly



**Recessed End Mount**  
 Panel length: 13-1/2(343)  
 (from wall): 13-1/4(336)  
 Panel height: 10(254)  
 Trim height: 14-3/4(375)  
 Panel depth: 1-7/8(47)  
 Weight: 5 lbs. (2.3 kgs.)



**Recessed Ceiling Mount**  
 Panel length: 13-1/4(336)  
 Trim length: 14-3/4(375)  
 Height (below ceiling): 8(203)  
 Trim width: 5(127)  
 Weight: 5 lbs. (2.3 kgs.)

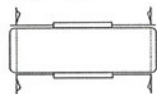


**Recessed Back Mount**  
 Panel length: 13-1/4(336)  
 Trim length: 14-3/4(375)  
 Total height: 11-1/2(292)  
 Depth (from wall): 1-7/8(47)  
 Weight: 5 lbs. (2.3 kgs.)



**Top Mount**  
 Panel length: 13-1/4(336)  
 Trim length: 13-1/8(333)  
 Panel height: 8(203)  
 Weight: 5 lbs. (2.3 kgs.)

Rough-In Section



Length: 13-5/8(346)  
 Width: 4-1/2(114)  
 Depth: 3-1/8(80)

Intended Use

Suitable for architectural applications where aesthetics and superior performance are required.

Features

Injection-molded acrylic panels, ultrasonically welded to eliminate visible hardware.

Depth of molded letters increases toward bottom of panel for better, more uniform illumination. Chevron directional indicators.

Long-life LEDs feature very low energy consumption and rated life up to 25 years.

Emergency operation exits use maintenance-free nickel-cadmium battery.

Recessed mounting. Extruded aluminum housing recessed into wall or ceiling for top, back or end mounting capability.

Surface top-mount (TM) option available on standard exits and attaches directly to J-box. Can be used for pendant mounting.

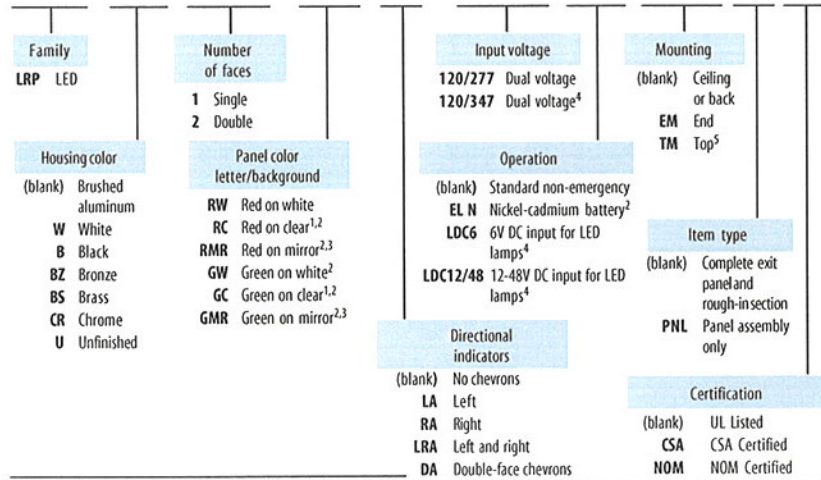
Special wording available; consult factory.

Listings

UL Listed (standard). CSA or NOM Certified (see Options).

Ordering Information

Example: LRP BS 1 RC LA 120/277 EL N EM



Accessories\* (Order separately)

LED ROUGH-IN SECTION<sup>7</sup>

Standard

ELA LCRIS	1 or 2 face red or green
ELA LCRIS 120 X2	1 or 2 face 120V w/ X2 option <sup>2</sup>
ELA LCRIS 277 X2	1 or 2 face 277V w/ X2 option <sup>2</sup>

Emergency

ELA R LRRIS 120/277 EL N	1-face red <sup>2</sup>
ELA R 2LRRIS 120/277 EL N	2-face red <sup>2</sup>
ELA G LRRIS 120/277 EL N	1-face green <sup>2</sup>
ELA G 2LRRIS 120/277 EL N	2-face green <sup>2</sup>

ELA R LRRIS 120/347 LDC12/48 CSA 1 or 2-face red with LDC 12/48 option<sup>4</sup>

ELA R LRRIS 120/347 LDC6 CSA 1 or 2-face red with LDC 6 option<sup>4</sup>

Pendant mounting (top mount only)

ELA US12 12" pendant kit with brushed aluminum canopy

NOTES:

- 1 Single-face exits only.
- 2 Not available with CSA.
- 3 Mirror background simulates clear for double-face option.
- 4 Only available with CSA.
- 5 Standard exits only. No rough-in section required. Not available with LDC6 or LDC12/48.
- 6 For additional options, accessories and fixture compatibility, see page 431.
- 7 Supplied standard with exit unless PNL suffix is specified. Order separately only if necessary for early installation. When ordering rough-in separately, all options must be included with rough-in nomenclature (Example: ELALCRIS 120/277 FI).

Electrical Application Data

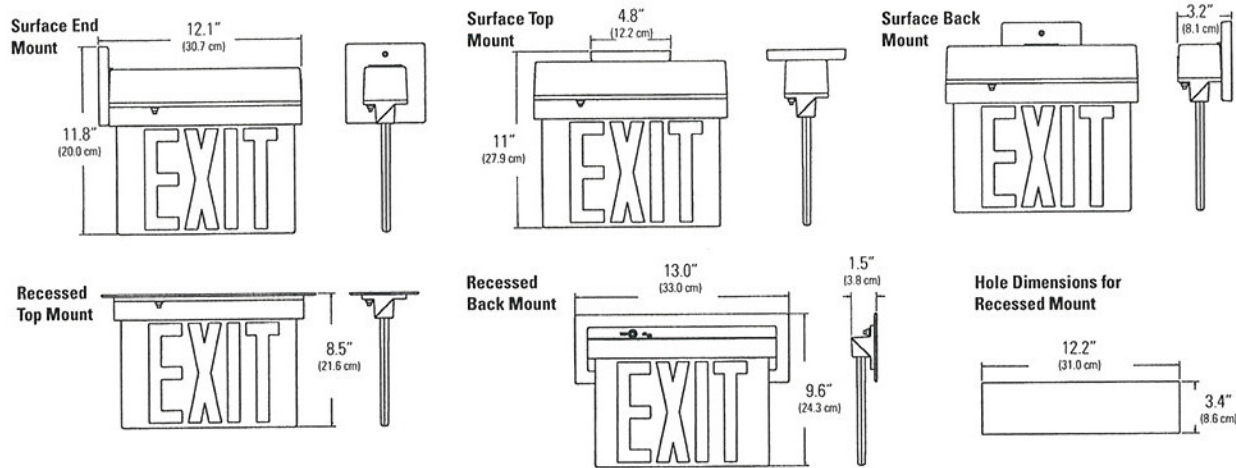
Type	Volts	Faces	Amps	Watts
<b>Primary Circuit</b>				
Standard	120	1	.087	1.5
	120	2	.178	3.1
	277	1	.089	1.8
LED Red	277	2	.178	3.4
	120	1	.093	2.3
Emergency	120	2	.084	3.2
	277	1	.095	2.7
	277	2	.094	3.9
Standard	120	1	.064	1.2
	120	2	.059	2.0
	277	1	.062	1.3
LED Green	277	2	.061	2.3
	120	1	.066	1.7
Emergency	120	2	.138	3.7
	277	1	.064	1.9
	277	2	.130	3.8
Standard CSA	120	1	.09	1.4
	120	2	.09	2.7
	347	1	.09	1.5
	347	2	.09	2.8
<b>Emergency Circuit</b>				
LDC6 <sup>4</sup>	6	1	.20	1.2
	6	2	.40	2.4
LDC12/48 <sup>4</sup>	12	1	.12	1.5
	12	2	.23	2.8
	24	1	.06	1.5
	24	2	.12	2.8
	32	1	.05	1.5
	32	2	.09	2.8
	48	1	.04	1.6
	48	2	.06	2.9

www.lithonia.com, keyword: LRP

PSG9



The LU Series Universal Edge-Lit provides a practical solution to Edge-Lit applications with a universal surface or ceiling mounted housing in one. The chevrons are field installed thus eliminating the time to determine arrow configurations.



Complete Fixture consists of base exit sign. Select options and accessories below.

### How to Specify:



**SERIES**

LU = LU Series Universal Edge-Lit Exit Sign



**BATTERY**

N = Self-Powered  
blank = AC Only



**HOUSING COLOR**

W = White  
B = Black



**# OF FACES**

1 = Single  
2 = Double



**LETTER COLOR**

R = Red  
G = Green

### Features

- Illumination:** Illumination of the tapered panel is accomplished with high brightness LEDs offering even illumination. LEDs offer low maintenance replacement costs and long life.
- Housing:** Constructed of impact-resistant, UL 94 V-0, 5 VA thermoplastic housing and backbox. Suitable for both recessed and surface mount applications. White housing is standard, black available as an option.
- Electronics:** 120/277 VAC dual voltage input with surge-protected, solid-state circuitry. Emergency operation version includes a charging system complete with low voltage disconnect, AC lockout, brownout protection, AC indicator lamp and test switch.
- Battery:** Maintenance free, sealed nickel cadmium battery has an estimated service life of 10 years, and an operating temperature range of 20°F (-7°C) to 95°F (35°C).
- Self-Diagnostics:** Self-diagnostics option includes a fault indicator LED and microprocessor circuitry that automatically indicates battery and charger status. An automatic monthly test assists user in meeting requirements of NFPA 31-1.
- Input Power Requirements (at 120 VAC):** AC Only - 5.16 watts (red), 4.8 watts (green); Emergency operation - 8.4 watts (red), 5.4 watts (green)
- Warranty:** Electronics: 3 years; Battery: 5 years full, 5 years pro-rata

### Code Compliance

UL 924 listed, UL Damp Location Listing optional.  
National Electrical Code (NEC), NFPA70 and NFPA101 life safety codes; and OSHA safety code illumination standards.

### Options

- 2CKT1** = Two circuit, 120 VAC
- 2CKT2** = Two circuit, 277 VAC
- SD** = Self-Diagnostics
- BF** = Buzzer/Flasher (emergency operation only)\*
- BZ** = DC Buzzer (emergency operation only)\*
- DL** = UL Damp Location Listing\*
- EX** = Special Input Transformer (specify voltage & frequency)
- FA** = Fire Alarm Flasher\*
- FL** = Emergency Flasher

\* Not available with self-diagnostics (SD) option

### Accessories

- PKITE12W** = Pendant Kit, 12" white finish
- PKITE12B** = Pendant Kit, 12" black finish

### Job Information

**Type:**

**Job Name:**

**Cat. No.:**

**Lamp(s):**

**Notes:**

Lightolier a Genlyte Thomas Company [www.lightolier.com](http://www.lightolier.com)  
631 Airport Road, Fall River, MA 02720 • (508) 679-8131 • Fax (508) 674-4710  
We reserve the right to change details of design, materials and finish.  
© 2004 Genlyte Thomas Group LLC (Lightolier Division) • A0104

# LIGHTOLIER





## FEATURES

### INTENDED USE

Suitable for applications requiring attractive edge-lit exit signage, universal installation and low energy consumption.

### CONSTRUCTION

Extruded brushed aluminum finish lamp housing.

Clear acrylic panels- letters measure 6" high with 3/4" stroke.

Mirrored separator panel for double face signs. Clear panel for single face signs.

### LAMPS

LEDs mounted on printed circuit board. LED rated life up to 25 years.

Low energy consumption – less than 5 watts for 120V red AC only and battery back-up.

### INSTALLATION

Universal (top, end or back) mounting. Canopy provided.

Universal directional indicators. Field selected and attached.

### LISTING

UL listed (standard). Meets UL, NFPA 101 (current Life Safety Code), NEC and OSHA illumination standards, and State of Minnesota energy-efficient legislation requiring less than 20W consumption.

### WARRANTY

Three-year customer satisfaction warranty.

Catalog Number	
Notes	Type

## Surface Mount Edge-Lit Exits

# EDG

## LED Lamps



## ORDERING INFORMATION

Choose the boldface catalog nomenclature that best suits your needs and write it on the appropriate line. Order accessories as separate catalog number.

Example: **EDG 1 R 120/277 EL N**

EDG						120/277			
Family		Housing color		Number of faces		Letter color		Input voltage	
<b>EDG</b>	Surface mount LED edge-lit exits	(blank)	Brushed aluminum	1	Single face	R	Red	120/277	Dual voltage
				2	Double face	G	Green		
								Options	
								(blank) AC only	
								<b>EL N</b> Nickel-cadmium battery	
								<b>X2</b> Provides primary and secondary AC input available with green letter color only	

# EDG LED, Surface Mount Edge-Lit Exits

## SPECIFICATIONS

### ELECTRICAL

#### Primary Circuit

Type	Rated LED life*	Supply voltage	Input watts	Max. amps
Red LED AC only	25+ years	120	2.9	.02
		277	2.8	.01
Green LED AC only	25+ years	120	3.6	.03
		277	5.6	.02
Red LED emergency	25+ years	120	4.5	.04
		277	5.2	.02
Green LED emergency	25+ years	120	6.1	.05
		277	5.6	.02

\* Based on continuous operation.

### BATTERY (included with EL N option)

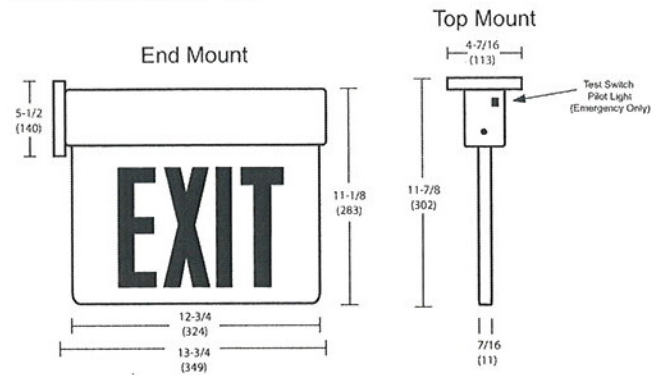
#### Sealed Nickel-Cadmium

Shelf life <sup>1</sup>	Expected life <sup>1</sup>	Maintenance	Optimum temperature <sup>2</sup>
3 yrs.	7-9 yrs.	none <sup>3</sup>	32°-100°F (16°-32°C)

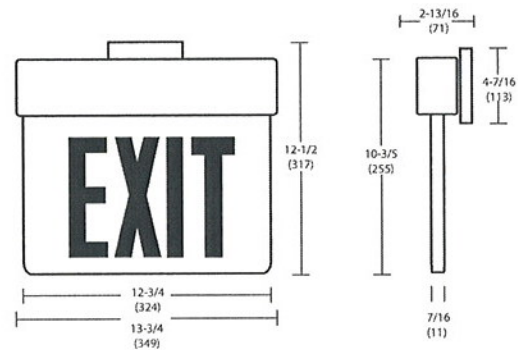
- 1 At 77°F (25°C).
- 2 Optimum ambient temperature range where unit will provide capacity for 90 minutes. Higher and lower temperatures affect life and capacity. Consult factory for detailed information.
- 3 Periodic system status test recommended.

## MOUNTING

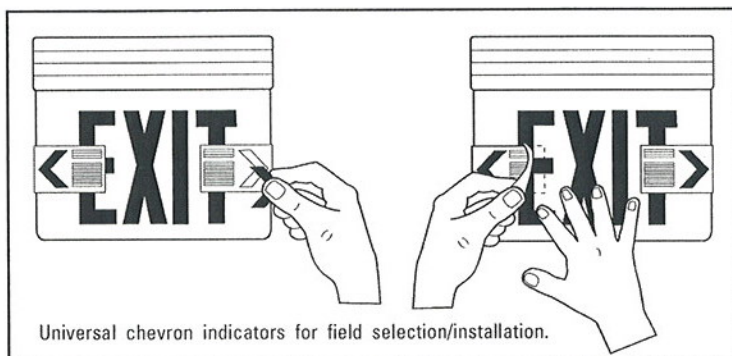
All dimensions are inches (millimeters).  
Shipping weight: 4 lbs. (1.814 kgs.)



### Back Mount



## KEY FEATURE



**LITHONIA LIGHTING®**  
An AcuityBrands Company

Lithonia Lighting  
Acuity Lighting Group, Inc.  
Emergency Systems  
One Lithonia Way, Decatur, GA 30035  
Phone: 800-334-8694 Fax: 770-981-8141  
www.lithonia.com