

## DESCRIPTION

The Paralux III Modular Series features the latest in energy efficient technology. The luminaire incorporates a true 3" deep precision cell louver into a nominal 6-11/16" modular fixture housing. This combination creates a total high performance parabolic optical assembly for optimum performance. The series is available with a number of options and accessories for application versatility.

## APPLICATION

The high performance luminaire is designed to offer maximum efficiency and performance for today's unique interior specifications. The Paralux III series is an excellent choice for commercial office spaces, schools, hospitals or retail merchandising areas.

## SPECIFICATION FEATURES

### A... Construction

Nominal 6-11/16" housing die formed of code gauge prime cold rolled steel. Smooth sides permit flush joint for continuous row mounting. Full seam welded corners. Dihedral recessed top design insures cooler ballast operation. Die formed captive lampholder bracket fully encloses wiring permitting easy lampholder replacement. Ballast/wireway covers removed without tools.

### B... Electrical\*\*

Ballasts are CBM/ETL Class "P" and are positively secured by mounting bolts. Pressure lock lampholders. UL/CUL listed. Suitable for damp locations.

### C... Finish

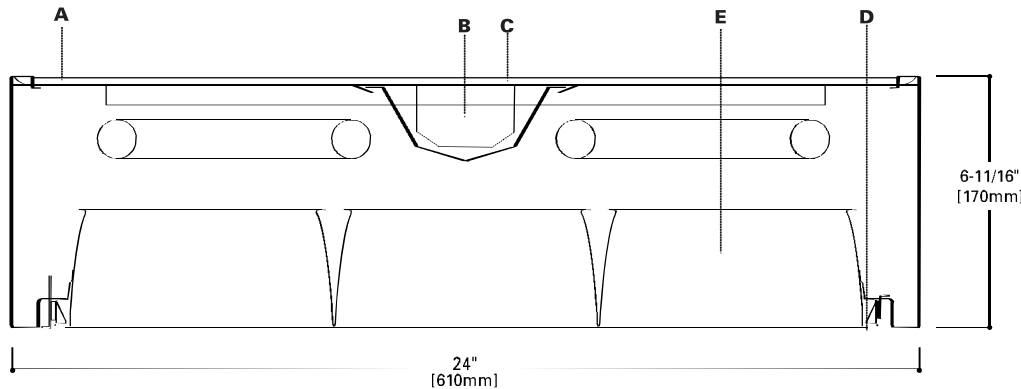
Painted after fabrication. Electrostatically applied baked white polyester powder enamel finish. Multistage cleaning cycle, iron phosphate coating with rust inhibitor. Conveyorized application and baking timing accurately controlled at an elevated temperature.

### D... Hinging/Latching

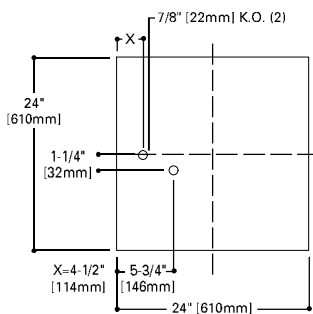
Positive cam action spring loaded, self locking, black steel latches. Positive hinging. Safety chains provided

### E... Louver

Die formed of low iridescent, vertical grain aluminum. Finish is Anodic oxide coating. Accurate precision parabolic cells are held in place with interlocking feature. True-cut mitered corners. Black reveal with integral mechanical light seal around entire perimeter of louver. Louver protected from construction contaminants by polyethylene cover.

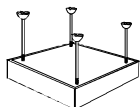


## MOUNTING DATA



## STEM MOUNTING DATA

Single  
Fixture  
Application

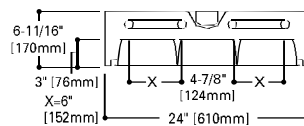


4 Point Suspension  
Utilizes Standard KOs

Consult Pre Sales  
Technical Support  
for Continuous  
Row Application.

## COOPER LIGHTING

## LAMP CONFIGURATIONS



## 2EP3MX2U6 2U6T8

### 9 or 16 Cell

2' X 2' PARABOLIC  
2 U-LAMP  
SEMI-SPECULAR OR  
SPECULAR LOUVER

Paralux III  
Surface Modular



## ENERGY DATA

Input Watts:

**EB Ballast & STD Lamps**

2U6 (72)

2U6T8 (61)

**ES Ballast & STD Lamps**

2U6 (86)

2U6T8 (71)

Luminaire Efficacy Rating

**LER = FP-41**

**Catalog Number:**

2EP3MX-2U6T8S44I

**Yearly Cost of 1000 lumens, 3000**

**hrs at .08 KWH = \$5.85**

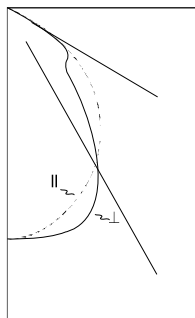
\*Reference the lamp/ballast data in the  
Technical Section for specific lamp/ballast  
requirements.

\*\*Reference the lamp/ballast data in the  
Technical Section for specific lamp/ballast  
requirements.

ADF020572  
(Supersedes ADF991704)



PHOTOMETRICS



**2EP3MX-2U6T8S44I**  
Electronic Ballast  
FB31T8/35K/6 Lamps  
2600 Lumens

Spacing criterion:  
(H) 1.2 x mounting  
height, (L) 1.1 x  
mounting height

Efficiency 50.4%

Test Report:  
2EP3MX2U6T8S44I.IES

LER = FP-41

Yearly Cost of 1000  
lumens, 3000 hrs at  
.08 KWH = \$5.85

**Coefficients of Utilization**

rc	Effective floor cavity reflectance																	
	80%				70%				20%									
rw	70	50	30	10	70	50	30	10	50	30	10	50	30	10	50	30	10	0
<b>RCR</b>																		
0	60	60	60	60	59	59	59	59	56	56	56	54	54	54	51	51	51	50
1	56	54	53	51	55	53	52	51	51	50	49	49	48	47	48	47	46	45
2	52	49	46	44	51	48	46	43	46	44	43	45	43	42	43	42	41	40
3	48	44	41	38	47	43	40	38	42	39	37	41	38	37	39	38	36	35
4	45	40	36	33	44	39	36	33	38	35	33	37	34	32	36	34	32	31
5	42	36	32	29	41	36	32	29	35	31	29	34	31	29	33	30	28	27
6	39	33	29	26	38	32	29	26	32	28	26	31	28	26	30	27	25	25
7	36	30	26	23	35	30	26	23	29	26	23	28	25	23	28	25	23	22
8	34	28	24	21	33	27	24	21	27	23	21	26	23	21	26	23	21	20
9	32	26	22	19	31	25	22	19	25	22	19	24	21	19	24	21	19	18
10	30	24	20	18	29	24	20	18	23	20	18	23	20	18	22	19	17	17

**Zonal Lumen Summary**

Zone	Lumens	%Lamp	%Fixture
0-30	1064	20.5	40.6
0-40	1591	30.6	60.7
0-60	2504	48.2	95.6
0-90	2619	50.4	100.0
0-180	2619	50.4	100.0

**Typical VCP Percentages**

Room Size (Ft.)	Height Along		Height Across	
	8.5'	10.0'	8.5'	10.0'
20 x 20	87	81	87	80
30 x 30	90	86	91	85
30 x 60	92	88	92	88
60 x 30	91	88	91	88
60 x 60	92	90	92	90

**Candela**

Angle	Along H	45°	Across L
0	1367	1367	1367
5	1356	1370	1383
10	1318	1375	1428
15	1267	1376	1453
20	1208	1349	1366
25	1138	1254	1157
30	1054	1089	849
35	963	859	633
40	860	631	602
45	740	504	729
50	605	475	835
55	451	435	668
60	267	268	230
65	109	79	67
70	35	28	28
75	15	14	14
80	7	7	7
85	2	2	2
90	0	0	0

ORDERING INFORMATION

SAMPLE NUMBER: 2EP3MX-2U6T8S44I-120V-EB81-U

<p><b>Width</b> 2=2' Width</p> <p><b>EP=Paralux Louver (III)</b></p> <p><b>Louver Depth</b> 3=Paralux III</p> <p><b>MX=Surface Mount/Floating Louver</b></p>	<p><b>Number of Lamps</b> 2 lamps (Not included)</p> <p><b>Wattage (Length)</b> U3=40W T12 (24") U6=40W T12 (24") U6T8=31W T8 (24") U15/8=31W Octron T8 (24") BX40=40W Biaxial T5 (24") 17=17W T8 (24")</p> <p><b>Louver Color</b> S=Silver G=Gold W=White</p> <p><b>Cell Configuration</b> 33=3 Row of 3, 9 Cell 44=4 Rows of 4, 16 Cell</p> <p><b>Louver Finish</b> H=Semi-Specular/Haze (Gold only) I=Semi-Specular/Haze (Low Iridescent) Standard MI=Specular/Mirrored (Low Iridescent) P=Painted</p> <p><b>Options</b> GL=Single Element Fuse GM=Double Element Fuse Emergency=EM Installed</p> <p><b>Voltage <sup>(1)</sup></b> 120V=120 Volt 277V=277 Volt 347V=347 Volt UNV=Universal Voltage 120-277 Volt<sup>(2)</sup></p>	<p><b>Ballast Type<sup>(1)</sup></b> Blank=Standard Magnetic Ballast (Biax &amp; 20W) LE3=T12 Magnetic Energy Saving EB2=T12 Electronic Rapid Start. No. of Ballast 1 or 2 LEOC8=T8 Magnetic Energy Saving ER8=T8 Electronic Program Rapid Start. Total Harmonic Distortion &lt; 10% No. of Ballast 1, 2 or 3 EB8=T8 Electronic Instant Start. Total Harmonic Distortion &lt; 20% No. of Ballast 1, 2 or 3 EB8/PLUS=T8 Electronic Instant Start. High Ballast Factor &gt;1.13. Total Harmonic Distortion &lt; 20% No. of Ballast 1, 2 or 3 TEB8=T8 Electronic Instant Start. Total Harmonic Distortion &lt; 10% No. of Ballast 1, 2 or 3 DLS=Digital Lighting System Dimming</p>	<p><b>Options</b> RIF1=Radio Interference Suppressor RLS=Rotor-Lock Socket (T8 Lamps Only) (Additional options available. See Accessory Section)</p>	<p><b>Packaging</b> U=Unit Pack</p>
--	--	--	--	---

SHIPPING INFORMATION

Catalog No.	Wt.
2EP3MX-2U6T8S33I	29 lbs.
2EP3MX-2U6T8S44I	29 lbs.

NOTES: <sup>(1)</sup>Products also available in non-US voltages and frequencies for international markets. <sup>(2)</sup>Not available when specifying emergencies, voltage must be specific.

For complete product data, reference the Fluorescent Specification binder. Specifications & dimensions subject to change without notice. Consult your Cooper Lighting Representative for availability and ordering information.



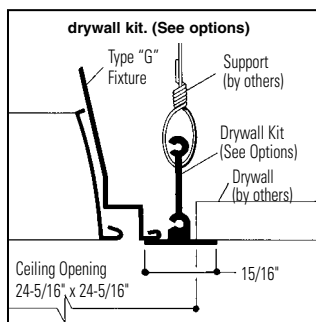
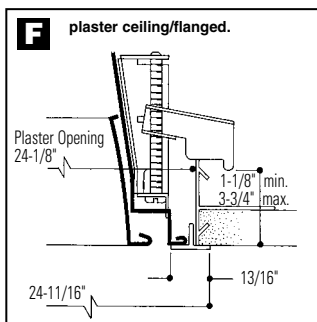
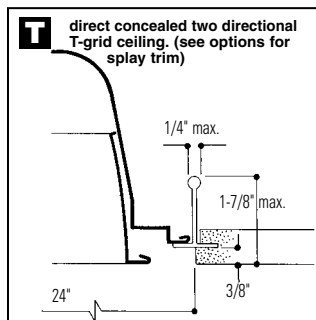
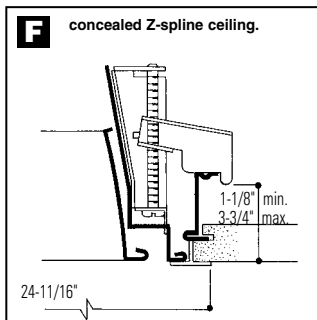
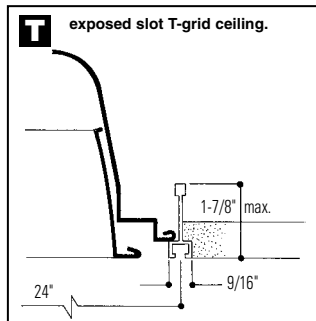
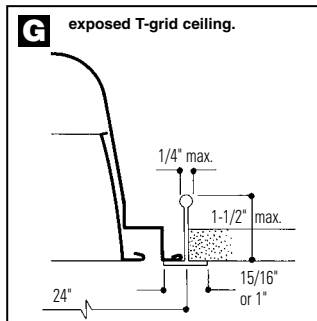
# DEEPCEL *plus* DPA2G16LS26U

## FEATURES

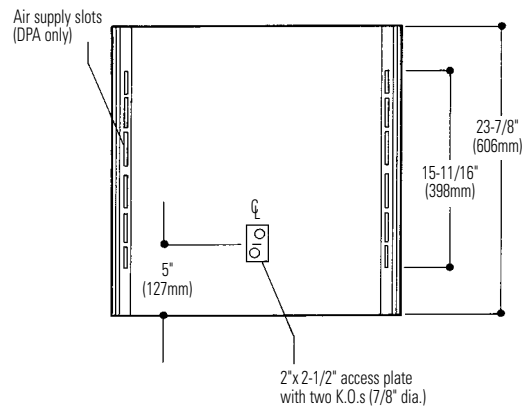
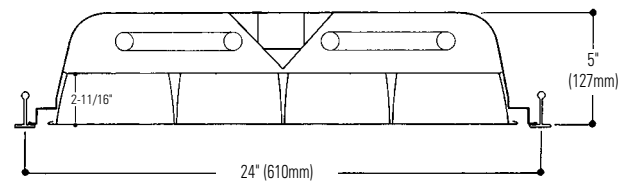
- 5" deep body.
- 61.6% efficient.
- Clean contoured interior.
- Eyeleted heat removal vents in fixture ends.
- One piece housing.
- Black exterior for cooler ballast operating temperature.
- Hemmed over side rails for safe handling.
- Fixture ends turned-in for safe handling.
- Built-in earthquake clips (patent no. 5,072,344).
- Pre-anodized aluminum parabolic louver.
- Vertical grain louver eliminates reflected lamp images on cross baffle.
- Spring-loaded rooster head latches.
- 18 gauge steel hinges.
- Louver frame with integral positive light stop.
- Louver has protective film dust guard.
- Construction to meet Chicago Plenum requirements is available.



## MOUNTING METHODS



## DIMENSIONS



## Job Information

## Type:

**Job Name:**

**Cat. No.:**

**Lamp(s):**

**Volts/Ballast:**

Lightolier a Genlyte Thomas Company

www.lightolier.com

Technical Information: (978) 657-7600 • Fax (978) 658-0595

631 Airport Road, Fall River, MA 02720 • (508) 679-8131 • Fax (508) 674-4710

We reserve the right to change details of design, materials and finish.

© 2002 Genlyte Thomas Group LLC (Lightolier Division)

A0902


SECTION 2/Folio G51-36

LIGHTOLIER®

### PHOTOMETRY

MODEL NO. DPA2G16LS26U

Luminaire Efficacy Rating  
LER-49.4 Watts-57.5 BF-0.87



**GTESTING  
LABORATORY**

45 Industrial Way  
Wilmington, MA 01887  
(978) 657-7600

---

REPORT NO.: 000030      DATE: 02-24-2000  
 CATALOG NO.: DPA2G16LS26U120S0      LAMP(S): 2 T8 U6, EACH RATED 2750 LUMENS.  
 LUMINAIRE: NEW 2X2 TROFFER WITH 4X4 SEMI-SPECULAR LOUVER  
 0.48 AMPS 57.5 WATTS

**CANDELA DISTRIBUTION**      **FLUX**

0	0	22.5	45.0	67.5	90.0	
0	1373	1573	1573	1573	1573	
5	1567	1566	1568	1575	1578	150
15	1480	1495	1544	1599	1638	437
25	1353	1390	1459	1535	1575	673
35	1178	1224	1274	1308	1331	786
45	951	966	907	862	892	706
55	600	570	505	530	566	486
65	86	93	104	110	110	125
75	16	17	18	19	19	20
85	2	3	3	3	3	3
90	0	0	0	0	0	0

**ZONAL LUMEN SUMMARY**

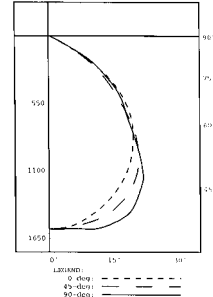
ZONE	LUMENS	%LAMP	%FLXT
0-30	1260	22.9	37.2
0-40	2047	37.2	60.4
0-60	3238	58.9	95.5
0-90	3386	61.6	100.0
90-180	0	0.0	0.0
0-180	3386	61.6	100.0

TOTAL LUMINAIRE EFFICIENCY = 61.6 %  
 TOTAL REFLECTANCE OF PAINT = 90.0 %  
 CIE TYPE - DIRECT

PLANE : 0-DEG 90-DEG  
 SPACING CRITERIA : 1.2 1.3  
 SHIELDING ANGLES : 35 35  
 PLANE : 0-DEG 90-DEG  
 LUMINOUS LENGTH : 21.000 21.000

**LUMINANCE DATA IN CANDELA/SQ M**

ANGLE IN DEG	0-DEG	45-DEG	90-DEG
AVERAGE	4725	4507	4432
AVERAGE	55	3675	3093
AVERAGE	65	715	865
AVERAGE	75	217	244
AVERAGE	85	91	121



THIS REPORT IS BASED ON PUBLISHED INDUSTRY PROCEDURES - FIELD PERFORMANCE MAY DIFFER FROM LABORATORY PERFORMANCE

**coefficients of utilization — zonal cavity method**

RF	20		20		20					
RC	80		50		30					
RW	70	50	30	50	30	10	50	30	10	
room cavity ratio	1	69	66	64	63	61	60	60	59	58
2	64	60	56	57	54	52	55	52	51	
3	59	54	50	51	48	45	49	47	44	
4	55	48	44	46	42	40	45	42	39	
5	51	44	39	42	38	35	41	37	35	
6	47	40	35	38	34	31	37	34	31	
7	44	36	31	35	31	28	34	30	28	
8	41	33	29	32	28	25	31	28	25	
9	38	31	26	30	26	23	29	25	23	
10	36	28	24	28	24	21	27	23	21	

**visual comfort probability (VCP) average 100 fc; reflectances 80/50/20**

room size		ceiling height				ceiling height			
W	L	8.5	10.0	13.0	16.0	8.5	10.0	13.0	16.0
20	20	79	73	66	70	79	72	67	72
20	30	82	75	70	66	81	75	69	65
20	40	84	78	73	69	83	77	73	68
20	60	85	80	76	72	84	79	75	71
30	20	83	77	69	70	83	77	69	71
30	30	85	79	72	66	84	79	72	66
30	40	86	81	75	69	86	81	74	68
30	60	87	83	77	72	87	82	77	71
30	80	87	83	79	74	87	84	78	73
40	20	84	80	73	71	84	80	74	72
40	30	86	81	76	68	86	81	75	68
40	40	87	83	78	71	87	83	77	70
40	60	88	84	80	73	88	84	79	72
40	80	88	84	81	75	88	85	81	74
40	100	88	84	81	77	88	85	82	76
60	30	87	82	77	71	86	82	77	71
60	40	88	84	79	73	87	84	79	73
60	60	89	85	81	75	88	85	81	74
60	80	89	85	82	77	89	86	82	76
60	100	89	86	83	79	89	86	83	78
100	40	88	84	81	75	87	84	80	74
100	60	89	85	82	77	88	85	81	76
100	80	89	86	83	79	89	86	83	78
100	100	89	86	84	80	89	86	84	80

### ORDERING INFORMATION

Explanation of Catalog Number. Example: DPA2G16LS26U120SORF

<b>DP</b>	<b>2</b>	<b>16</b>	<b>S</b>	<b>2</b>	<b>6U</b>	<b>120</b>	<b>Mag. T12</b>	<b>LE</b>
<b>DEEPCEL PLUS 3" PARABOLIC:</b> Pre-anodized aluminum louver	<b>BODY STYLE:</b> A=Air Supply S=Static	<b>CEILING TYPE:</b> G= Grid (lay-in T bar) F=Flanged (overlap) Z spline and plaster frame T=Slot grid or two-directional concealed T (see options)	<b>LOUVER FINISH*:</b> L= Low Iridescence Semi-specular (standard) P= Low Iridescence Specular W=White Baked Enamel G= Champagne Gold	<b>SINGLE "V" REFLECTOR</b>	<b>LAMP TYPE/FIXTURE LENGTH:</b> 6"U Lamp T8 or T12 (Nominal 24")	<b>VOLTAGE:</b> 120 or 277	<b>BALLAST TYPE:</b> Mag. T12 LE <20THD SO* <10THD PS HI* - *Instant Start Standard Other dimming options. Consult factory.	<b>OPTIONS:</b> Add appropriate suffix to catalog no. ie: (RF)

### OPTIONS & ACCESSORIES

- PLASTER FRAME:** Catalog Number: **PF22**.
- CONTINUOUS ROW INSTALLATION:** For F type fixtures, half-width flanges are required between fixtures. Order Catalog Number: **S2FCTRIM** (each joint).
- SPLAY TRIM:** For T ceiling type only. SUFFIX: **CTZ22 S2 SPLAY TRIM**.
- RADIO INTERFERENCE FILTER:** 120 or 277 volt, 50 or 60 Hz. One per fixture standard. SUFFIX: **RF**.
- ELECTRICAL/WIRING OPTIONS:** Consult factory.
- AIR CLOSURE STRIP:** SUFFIX: **ACS2** (factory installed).
- DRYWALL KIT:** Order Catalog Number: **FK92X2**. Request Folio OA30-10.
- CHICAGO PLENUM:** SUFFIX: **CP**.

### SPECIFICATIONS

**PERFORMANCE:** In an installation of 2 lamp 31W luminaires in a room cavity ratio of 1, with reflectance of 80% ceiling, 50% wall, 20% floor, the C.U. shall not be less than .66. To prevent glare the VCP shall not be less than 74 either lengthwise or crosswise (at 100fc level) and the average brightness at 65° shall not exceed 914 candelas per square meter. To control veiling reflections, luminaire output in the 30°-90° zone shall not be less than 62.8%.

**AIR HANDLING** (DPA only) side air passages for air supply or air return. Supply air is discharged vertically. Optional side closure strips. Air return is also provided through the lamp compartment through fixture body ends.

### SPECIFICATIONS (continued)

**MATERIALS:** Chassis parts are die-formed code gauge cold rolled steel. Housing is ribbed for rigidity with side rails hemmed over and housing ends turned-in for safe handling. Louver is pre-anodized aluminum (Coilzak® or equal).

**FINISH:** Chassis exterior—black baked polyester enamel. Cavity—white baked polyester enamel minimum 86% reflectance. Phosphate undercoating.

**Louver**—low iridescence semi-specular anodized vertical grain aluminum reflector sheet is standard.

**ELECTRICAL:** Thermally protected class "P" ballast C.B.M. approved, non PCB. If K.O. is within 3" of ballast, use wire suitable for at least 90°.

**LABELS:** I.B.E.W. UL and ULc Listed.

Job Information	Type:
<b>Lightolier</b> a Genlyte Thomas Company Technical Information: (978) 657-7600 • Fax (978) 658-0595 631 Airport Road, Fall River, MA 02720 • (508) 679-8131 • Fax (508) 674-4710 We reserve the right to change details of design, materials and finish. © 2002 Genlyte Thomas Group LLC (Lightolier Division) A0902	www.lightolier.com SECTION 2/Folio G51-36



# Concealite Life Safety Products

Home

## Emergency Lighting Products

Emergency Lighting

### Overview

Conceal-Alarm

Exit Signs

ConCEPS

Other Products

Store

Representatives

Product

Specs/Literature

### 5000 Series

Contact Us

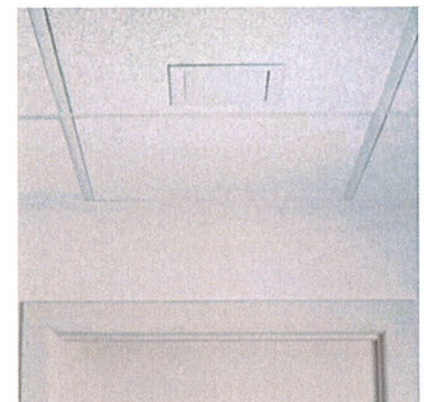
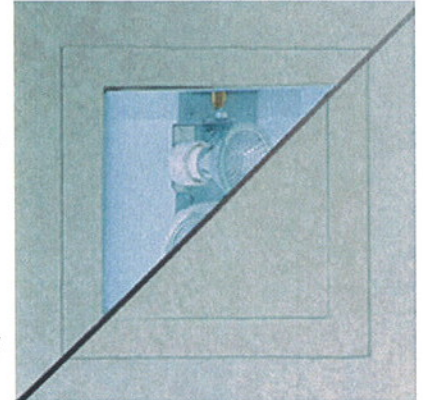
- Wall or ceiling mounting
- Opens upon loss of utility power
- Compact size to allow exact placement on emergency route
- Customize with wallpaper, paint or fabric
- MR-16 lamps
- 90 minute, 2-hour or 4-hour run times
- Automatically closes when power is restored
- C/UL and ETL listed
- Remote test switch option available
- Self Diagnostic monitoring available

### Chameleon (REM Remote Power)

- Multiple power supply options - DC, inverter system or generator
- Available with a wide variety of lamps and other devices, such as security cameras
- Available as a standard lighting fixture
- Customize with wallpaper, paint or fabric

### 1000 Series

- Designed for ceiling applications
- Holds up to 6 lamps
- Customizable to any type of ceiling tile





- Available with integral power supply, or can run from master power unit, inverter or generator
- UL Listed



### Wet Location Fixtures

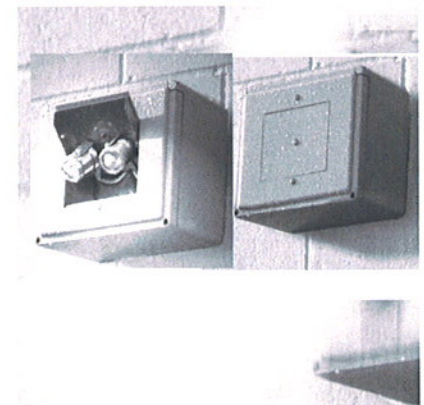
#### Hydro-Lite

- Designed for damp or wet locations
- NEMA-4 rated in both open and closed position
- Excellent egress lighting solution for parking garages, food handling and processing facilities
- Use with 20, 35 or 50 watt lamps
- Run times of 90-minutes or 2-hours
- Can be installed as a recessed unit
- Vandal-resistant option available
- Full or Semi Recessed kit available
- ETL Listed



#### Hydro-Lite II

- Offers the features of the Hydro-Lite in a compact model
- Available in 20 watt 90 minute runtime
- Remote Test switch or Remote operations available
- Recessed or Semi-recessed kit available



[Contact Us](#) | [Home](#)

# LIGHTOLIER®

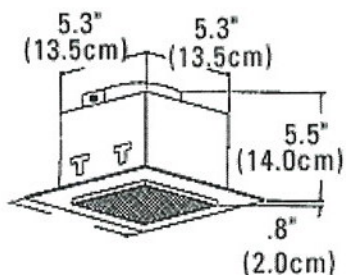
## R Series Remote Lighting Fixtures



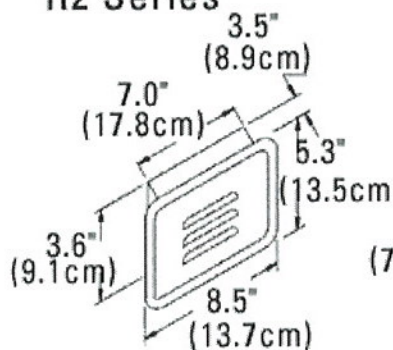
Catalog Number	Voltage	Operation / Battery	Lamp Type	Finish Color	Mounting
R166	6 V	/ Remote	6W Miniature	White	Recessed
R2612	6 V	/ Remote	12W Miniature	White	Recessed
R3618	6 V	/ Remote	18W Miniature	White	Recessed
R41218	12 V	/ Remote	18W Miniature	White	Recessed

The above listing may not represent the entire range of options. Please see Specification Sheet for the complete product listing.

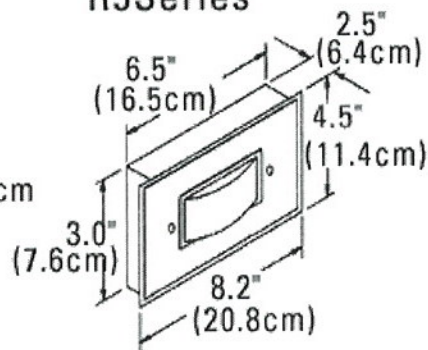
### R1 Series



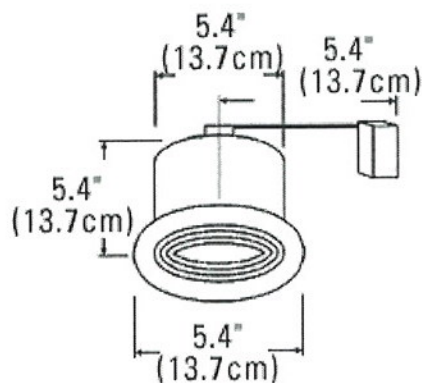
### R2 Series



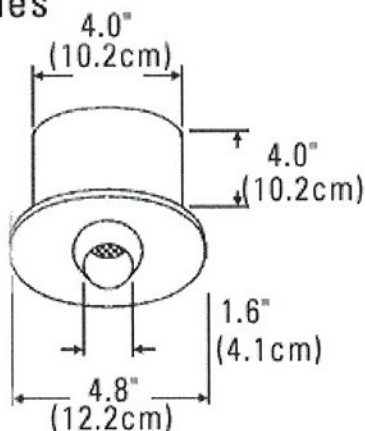
### R5 Series



### R3 Series



### R4 Series



We reserve the right to change details of design, materials, and finish, in any way.

LIGHTOLIER a GENLYTE THOMAS company.  
 631 Airport Road, Fall River, MA 02720  
 (508) 679-8131 Fax (508) 674-4710 Copyright 2007



## GENERAL DESCRIPTION

Fusion is a fully recessed, architectural emergency lighting unit. Suitable for wall or ceiling mounting, Fusion remains unobtrusive even when illuminated. Fusion provides an alternative to standard wall mounted emergency lighting.

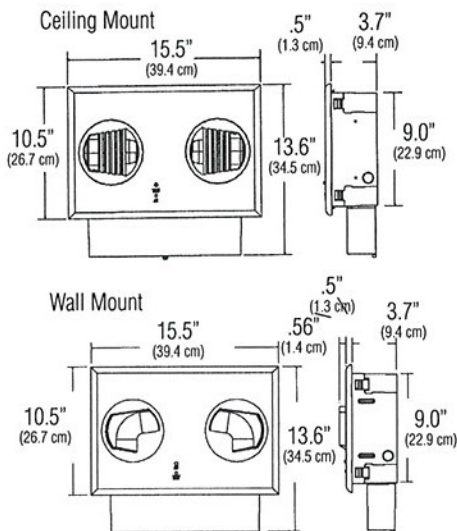
## ILLUMINATION

Illumination is provided by two high performance 35 watt MR16 lamps combined with a patented reflector system. Optical assemblies can be rotated from 0° to 90° for corner installations. Wall mounted versions can generate an average of 1 footcandle of emergency illumination over a 3' x 60' egress path, while ceiling mounted versions can broadcast an average of 1 footcandle over a 3' x 90' egress path. The lamps remain hidden during emergency illumination. IES photometric data files are available upon request.

## INSTALLATION

The Fusion series is supplied with ceiling mount optics. Wall mount units require the wall mount lens kit accessory (WMLK). Mechanical or sheetrock ceiling installation is enabled using optional bar hangers or structural support wire (supplied by others).

## DIMENSIONS



Cut-out dimensions are 14 3/4" x 9 1/4"

# Fusion

## Architectural Fully Recessed Emergency Lighting

### 12 Volt, 72 Watt Units Sealed Lead Calcium Battery

## HOUSING

Backbox constructed of 20 gauge galvanized steel. Flush cover and diffusers constructed of impact resistant polycarbonate.

White faceplate is standard, with optional black housing available.

Faceplate may be painted or wallpapered to match wall or ceiling decor.

Suitable for wall or ceiling mounting.

Wall mounted units can be fastened to wood or metal studs from either the left or right side.

Mechanical ceiling mounting is accomplished with grid ceiling bar hangers.

## ELECTRONICS

120/277 VAC dual voltage input with surge-protected, solid-state charging circuitry provides for a reliable charging system.

Fully automatic, voltage regulated charging system will maintain battery at full capacity without the need for periodic equalization charge.

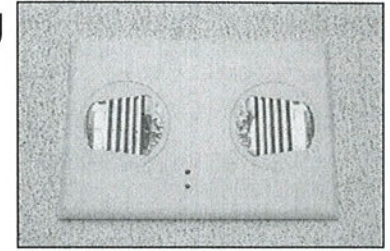
Charging system is complete with low voltage disconnect, AC lockout, brownout protection, AC indicator lamp and test switch.

Optional ACCU-TEST self-diagnostics includes an automatic 3 minute discharge test every 30 days. A manual discharge test from 1 to 90 minutes is available. Real-time system checks occur automatically every minute. Individual LED indicators illuminate red if either a battery, charger or lamp failure occurs.

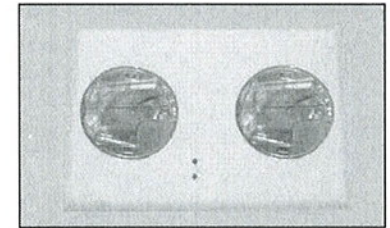
## PERFORMANCE

### Input power requirements

.32 amps (120 VAC), .14 amps (277 VAC)



SHOWN: F1WC (Ceiling Version)



SHOWN: F1WW (Wall Version with WMLK Wall Mount Lens Kit)

## BATTERY

Maintenance free, sealed lead calcium batteries

Supplies 90 minutes of emergency power

Estimated service life of 5 years at an operating temperature range of 65°F (19°C) to 85°F (30°C).

## CODE COMPLIANCE

UL 924 listed for insulated ceiling systems (IC rated)

NFPA 101

NEC, BOCA and OSHA illumination standard

Meets ADA specifications for wall mounted lighting fixtures

## WARRANTY

Three year full electronics warranty

One year full plus four year prorated lead calcium battery warranty

## ACCESSORIES

FBHK = Bar Hanger Kit for Mechanical Ceilings

T15TPTOOL = Tamperproof Screwdriver

WMLK = Wall Mount Lens Kit

CMLK = Ceiling Mount Lens Kit

RPLTSW = Remote Test Switch Kit for Single Gang Wall Box

## ORDERING INFORMATION



### SERIES

F = Fusion Concealed  
Emergency Unit



### WATTAGE

1 = 72 watts



### HOUSING COLOR

W = White  
B = Black



### MOUNTING OPTIONS

C = Ceiling Mount  
W = Wall Mount



### FACTORY INSTALLED OPTIONS

AD = Self-Diagnostics  
ADTD = Self-Diagnostics w/ Time Delay<sup>1</sup>  
EX = Special Transformer  
(Must specify voltage & frequency)  
TP = Tamperproof

NOTES:  
1) 15 minute time delay





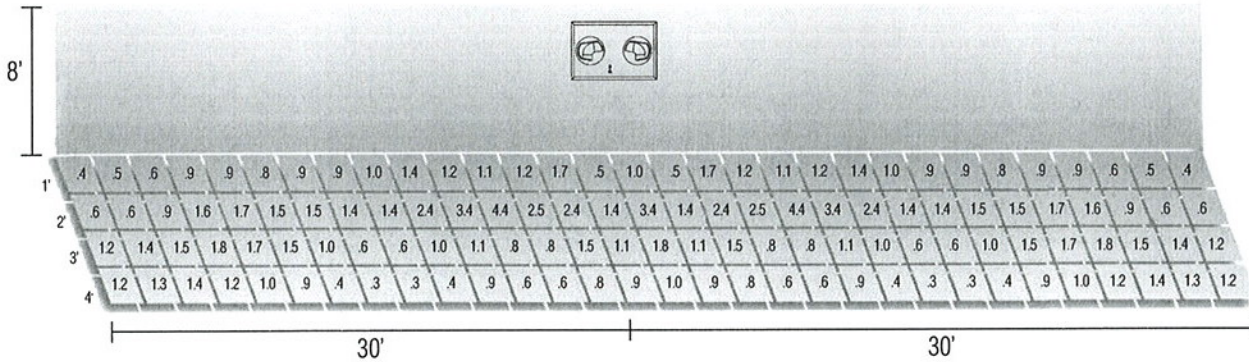
# Specification Data for Fusion 72W Concealed Emergency Lighting

## PERFORMANCE

I.E.S. format photometric data files are available for use with most lighting layout application software.  
Contact: Chloride Technical Service for specific layout assistance.

## OPTICS

### Recessed Wall Mount Version, 7.5' AFF

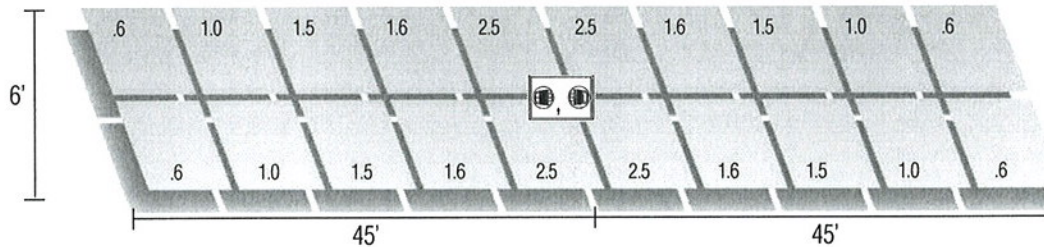


Average initial footcandles at floor = 1.05  
Maximum initial footcandles at floor = 4.4

Minimum initial footcandles at floor = .30  
Maximum to minimum ratio = 14.6 - 1

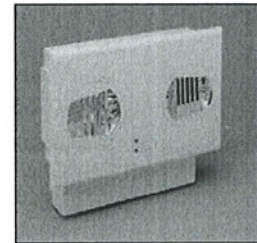
## OPTICS

### Recessed Ceiling Mount Version, 10' AFF



Average initial footcandles at floor = 1.5  
Maximum initial footcandles at floor = 2.5

Minimum initial footcandles at floor = .6  
Maximum to minimum ratio = 4.2 - 1.0



SHOWN: F1WC  
(Ceiling Version, Before Installation)

## SUGGESTED SPECIFICATION

Furnish and install Chloride Systems concealed emergency lighting model \_\_\_\_\_ . The unit shall be constructed to meet Underwriter's Laboratories, Inc. Standard #924, IC rated, and must be installed to conform to Article 700 of the National Electrical Code (NEC).

**INSTALLATION AND OPERATION** - Unit shall be easily field connected to a 120 or 277 VAC, 60 hertz, unswitched power source. Installation must comply with the NEC as well as other applicable codes. Upon utility power failure or brownout, the unit shall automatically provide emergency battery power and maintain the stated illumination level and output wattage for a minimum period of 90 minutes. Upon restoration of utility power, the charging circuitry shall restore the battery to full charge within UL 924 requirements following a rated discharge of not more than 90 minutes. The unit shall not have any moving mechanisms during emergency operation. The unit shall provide universal wall or ceiling mounting.

**CHARGING CIRCUITRY** - Unit shall utilize a fully automatic, voltage regulated charging system. The charging system shall maintain the battery at full capacity without the need for periodic exercising or equalization. The following features shall be standard: Low voltage disconnect (LVD), brownout protection and AC lock-out. Optional self-diagnostics shall monitor and indicate a fault occurring in either the charger, battery, lamp circuit, or input supply.

**BATTERY** - The battery shall be maintenance free, sealed lead calcium. The sealed lead calcium battery shall provide trouble-free operation in temperatures up to 85°F (30°C) and is supplied with a one year full warranty.

**ILLUMINATION** - Illumination shall be provided by a fully recessed optical system utilizing 35 watt MR16 style halogen lamps. Wall mounted units (8' A.F.F.) shall provide an average of 1 footcandle of emergency lighting over a 3' x 60' egress path. Ceiling mounted units (10' A.F.F.) shall provide an average of 1 footcandle of emergency lighting over a 3' x 90' egress path.

**HOUSING** - Housing construction shall be 20 gauge galvanized steel. Product shall be furnished with the standard impact resistant polycarbonate white faceplate, or optional black finish. Trim plate shall have the capability to be field painted or wallpapered if desired. Wall recessed units shall be secured within wood or metal stud support framework. Ceiling recessed units shall have provisions for bar hangers, and/or structural cable supports. All electrical components shall be modular, and can be removed easily for service without removal of product from wall or ceiling.



**CHLORIDE**  
a Genlyte company

272 West Stag Park Service Road • Burgaw NC 28425  
Telephone: (910) 259 1000 • Facsimile: (800) 258 8803  
www.chloridesys.com

C1191R7  
2/06 IH



## GENERAL DESCRIPTION

Chloride's new Fusion<sup>2</sup> product provides all of the benefits of the original Fusion emergency lighting unit but in a package that is specially designed for drop-in installation into 2' x 2' suspended ceiling systems. It features a 2' x 2' aluminum faceplate which completely replaces a ceiling tile, eliminating the need to cut an opening in a tile. The result is quicker installation and a neater finished appearance. The center portion of the faceplate, which contains the lamps, reflectors and wiring, is removable from the room side of the unit to ease maintenance.

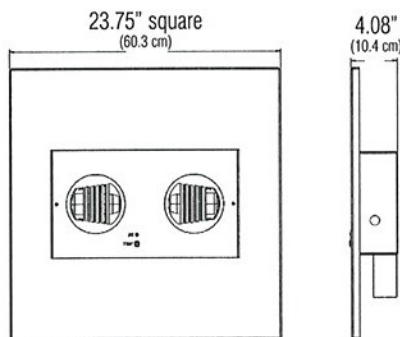
## ILLUMINATION

Illumination is provided by two high performance 35-watt MR-16 lamps combined with a patented reflector system. Optical assemblies can be rotated from 0° to 90° for corner installations. Fusion<sup>2</sup> generates an average of 1 footcandle of emergency illumination over a 6' x 90' path of egress with a mounting height of 10' AFF. The lamps remain hidden during emergency illumination. IES photometric data files are available upon request.

## INSTALLATION

The new Fusion<sup>2</sup> aluminum faceplate allows direct ceiling tile replacement. Openings are provided in the housing for structural support wire and bar hanger support. Multiple knockouts are provided for conduit entry.

## DIMENSIONS



# Fusion<sup>2</sup>

## Specially Designed for Suspended Ceiling Installations

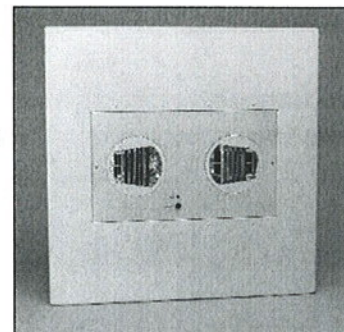
### 12 Volt, 72 Watt Units

### Sealed Lead Calcium Battery

### Excellent Photometric Performance

### Easy Installation

Patent #6,969,181



SHOWN: F2W

## HOUSING

Backbox constructed of 14 gauge galvanized steel.  
2' x 2' faceplate constructed of 1/8" thick aluminum for strength and light weight. Available in white or black powder coated finishes.

Use structural support wire or bar hanger kit (available separately – see "ACCESSORIES") to complete installation.

For suspended ceiling installation only. Use F1 Fusion unit for sheetrock ceiling or wall mount installations.

## ELECTRONICS

120/277 VAC dual voltage input with surge-protected solid-state charging circuitry provides for a reliable charging system.

Fully automatic, voltage regulated charging system will maintain battery at full capacity without the need for periodic equalization charge.

Charging system is complete with low voltage disconnect, AC lockout, brownout protection, AC indicator lamp and test switch.

Optional ACCU-TEST self-diagnostics include an automatic 3 minute discharge test every 30 days. A manual discharge test from 1 to 90 minutes is available. Real-time system checks occur automatically every minute. Individual LED indicators illuminate red if either a battery, charger or lamp failure occurs.

## ELECTRICAL SPECIFICATIONS

### Input power requirements

.32 Amps (120 VAC)

.14 Amps (277 VAC)

## BATTERY

Maintenance free, sealed lead calcium batteries  
Supplies 90 minutes of emergency power  
Estimated service life of 5 years at an operating temperature range of 65°F (19°C) to 85°F (30°C).

## CODE COMPLIANCE

UL 924 listed for suspended ceiling systems  
IC rated for insulated suspended ceilings  
NFPA 101, NEC, BOCA, OSHA, and IBC illumination standard

## WARRANTY

Three year full electronics warranty  
One year full plus four year prorated lead calcium battery warranty

## ACCESSORIES

F2BHK = Bar Hanger Kit  
T15TPTOOL = Tamperproof Screwdriver  
RPLTSW = Remote Test Switch Kit for Single Gang Wall Box

## ORDERING INFORMATION

**F2**

### SERIES

F2 = Fusion 2 X 2  
Emergency Unit

**W**

### HOUSING COLOR

W = White  
B = Black

**—**

### FACTORY INSTALLED OPTIONS

AD = Self-Diagnostics  
EX = Special Transformer<sup>1</sup>  
(Must specify voltage & frequency)  
TP = Tamperproof

Note 1: Some options may impact UL listing. Consult factory for specifics.



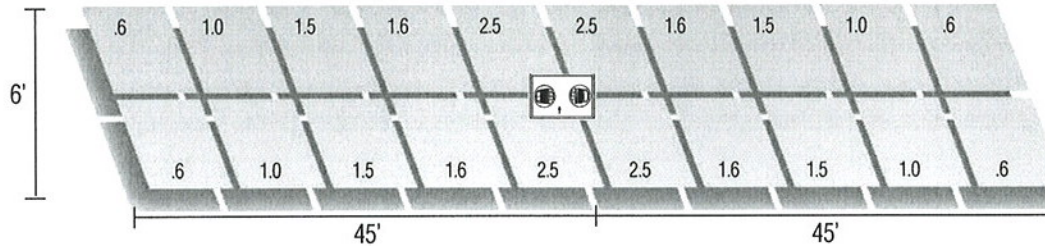
# Specification Data for Fusion<sup>2</sup> 72W Concealed Emergency Lighting

## ILLUMINATION

I.E.S. format photometric data files are available for use with most lighting layout application software.  
Contact: Chloride Technical Service for specific layout assistance.

## OPTICS\*

### Recessed Ceiling Mount Version, 10' AFF

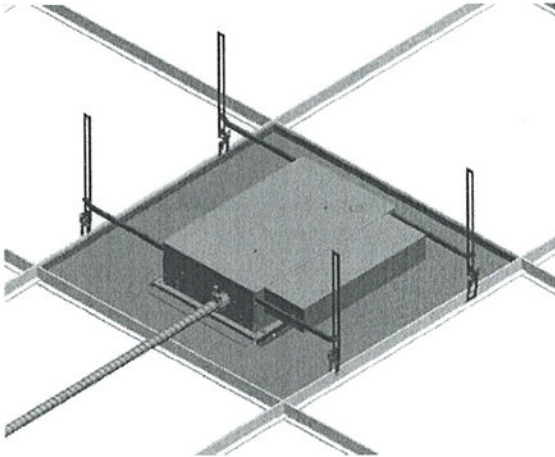


Average initial footcandles at floor = 1.5  
Maximum initial footcandles at floor = 2.5

Minimum initial footcandles at floor = .6  
Maximum to minimum ratio = 4.2 - 1.0

\* The optics layout is intended to be used as a reference only. Standard reflectance, 80/50/20 were used. Chloride Systems is not responsible for site specific conditions that may alter the results.

### View showing bar hanger installation



## SUGGESTED SPECIFICATION

Furnish and install Chloride Systems concealed emergency lighting model \_\_\_\_\_ . The unit shall be constructed to meet Underwriter's Laboratories, Inc. Standard #924, be IC rated, and must be installed to conform to Article 700 of the National Electrical Code (NEC).

**INSTALLATION AND OPERATION** - Unit shall be easily field connected to a 120 or 277 VAC, 60 hertz, unswitched power source. Installation must comply with the NEC as well as other applicable codes. Upon utility power failure or brownout, the unit shall automatically provide emergency battery power and maintain the illumination level and output wattage for a minimum period of 90 minutes, in accordance with the requirements of the NFPA 101.. Upon restoration of utility power, the charging circuitry shall restore the battery to full charge within UL 924 requirements following a rated discharge of not more than 90 minutes. The unit shall not have any moving mechanisms during emergency operation ensuring reliable operation.

**CHARGING CIRCUITRY** - Unit shall utilize a fully automatic, voltage regulated charging system. The charging system shall maintain the battery at full capacity without the need for periodic exercising or equalization. The following features shall be standard: Low voltage disconnect (LVD), brownout protection and AC lockout. Optional self-diagnostics shall monitor and indicate a fault occurring in either the charger, battery, lamp circuit, or input supply.

**BATTERY** - The battery shall be maintenance free, sealed lead calcium. The sealed lead calcium battery shall provide trouble-free operation in temperatures up to 85°F (30°C) and is supplied with a one year full warranty.

**ILLUMINATION** - Illumination shall be provided by a fully recessed optical system utilizing 35 watt MR16 halogen lamps. The unit shall provide an average of 1 foot-candle of emergency lighting over a 6' x 90' egress path, when mounted 10' AFF.

**HOUSING** - Housing construction shall be of 14 gauge galvanized steel and 1/8" aluminum. Unit shall be available in white or black powder coat finish. Unit shall have provisions for bar hangers and/or structural cable supports. All electrical components shall be modular, and should be easily removed for service from front of unit without removal of product from ceiling.



**CHLORIDE**  
a Genlyte company

272 West Stag Park Service Road • Burgaw NC 28425  
Telephone: (910) 259 1000 • Facsimile: (800) 258 8803  
www.chloridesys.com

C1341R1  
2/06 IH